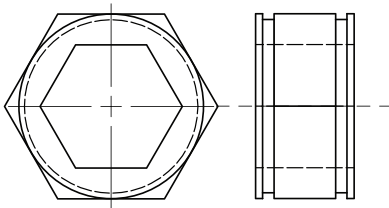
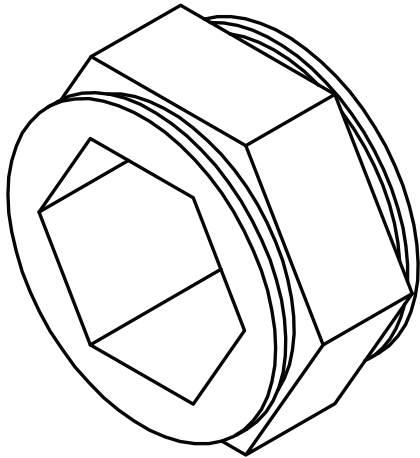


FlexHub



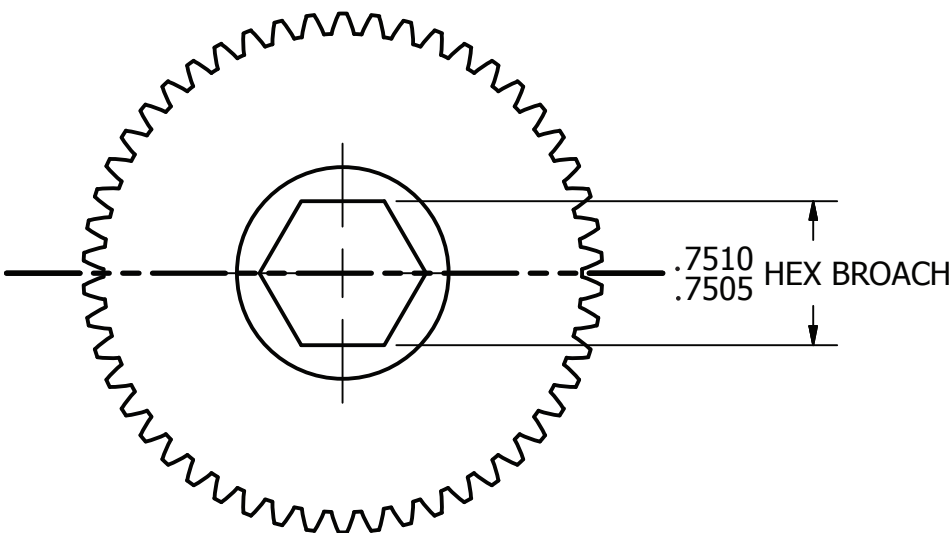
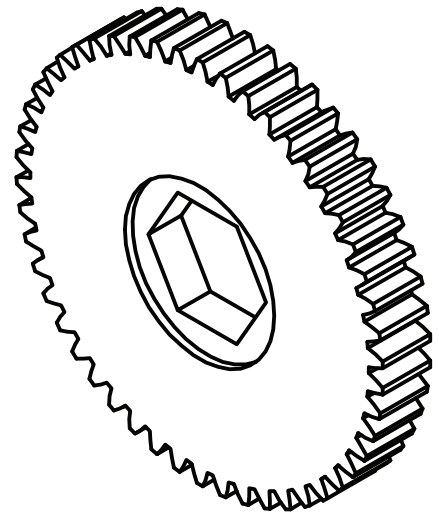
The FlexHub from iR3 Creative Engineering offers a new and exciting way for you to cost effectively and simply have more modular drive components.



The basis of the FlexHub system are the specially made FlexHubs.

These hubs feature a standardized hex adapter that comes in a variety of bores:

- 1/2" Hex
- 3/8" Hex
- 1/2" Keyed
- 3/8" Keyed
- 8mm Keyed
- 10mm Keyed



FlexHub drive components all feature the .75" hex broached bore which work in conjunction with the FlexHubs to create huge potential in design possibilities with just a few inexpensive components.

**YOU HAVE ALWAYS WANTED
MODULARITY
GET IT.**

