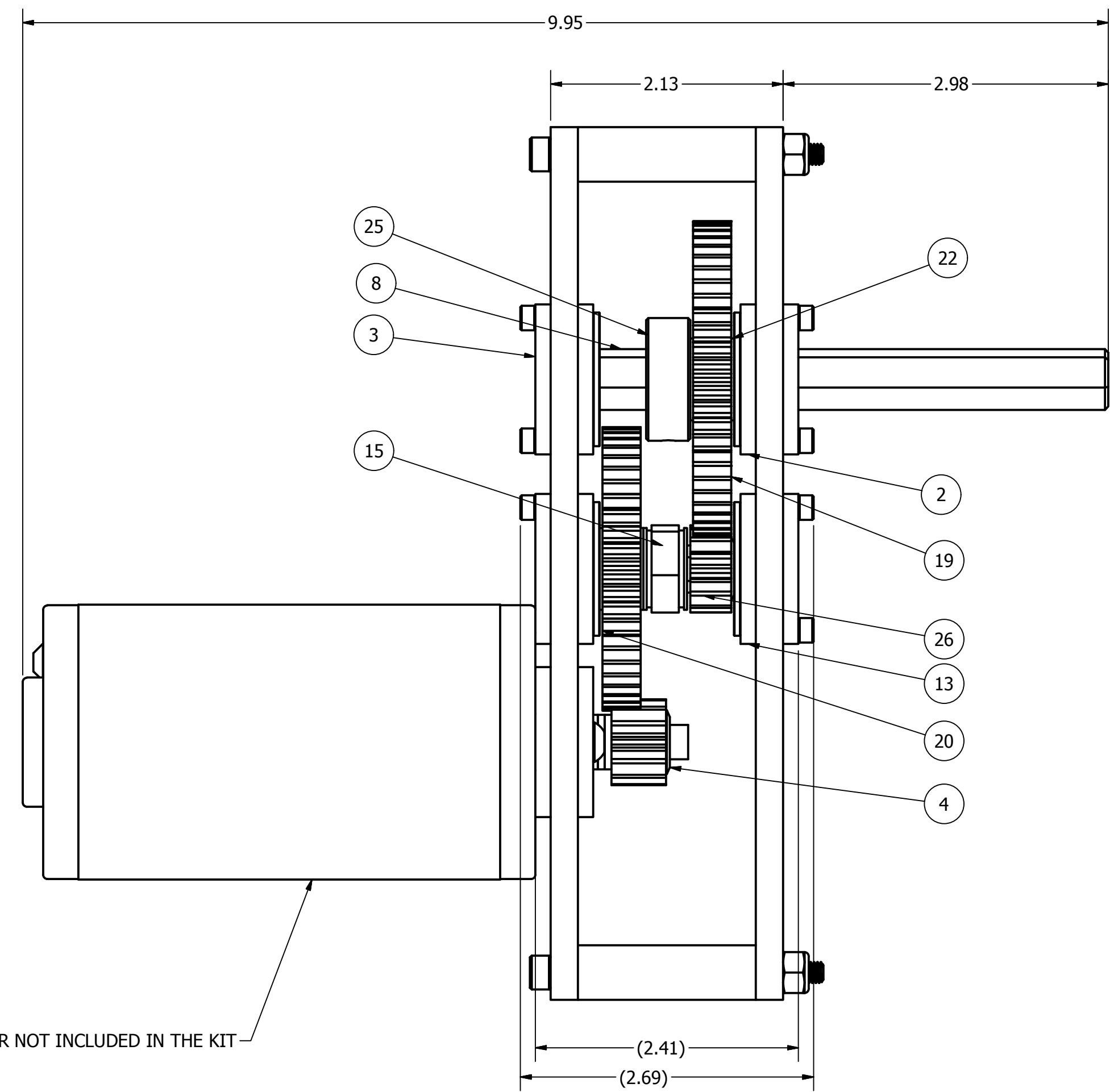
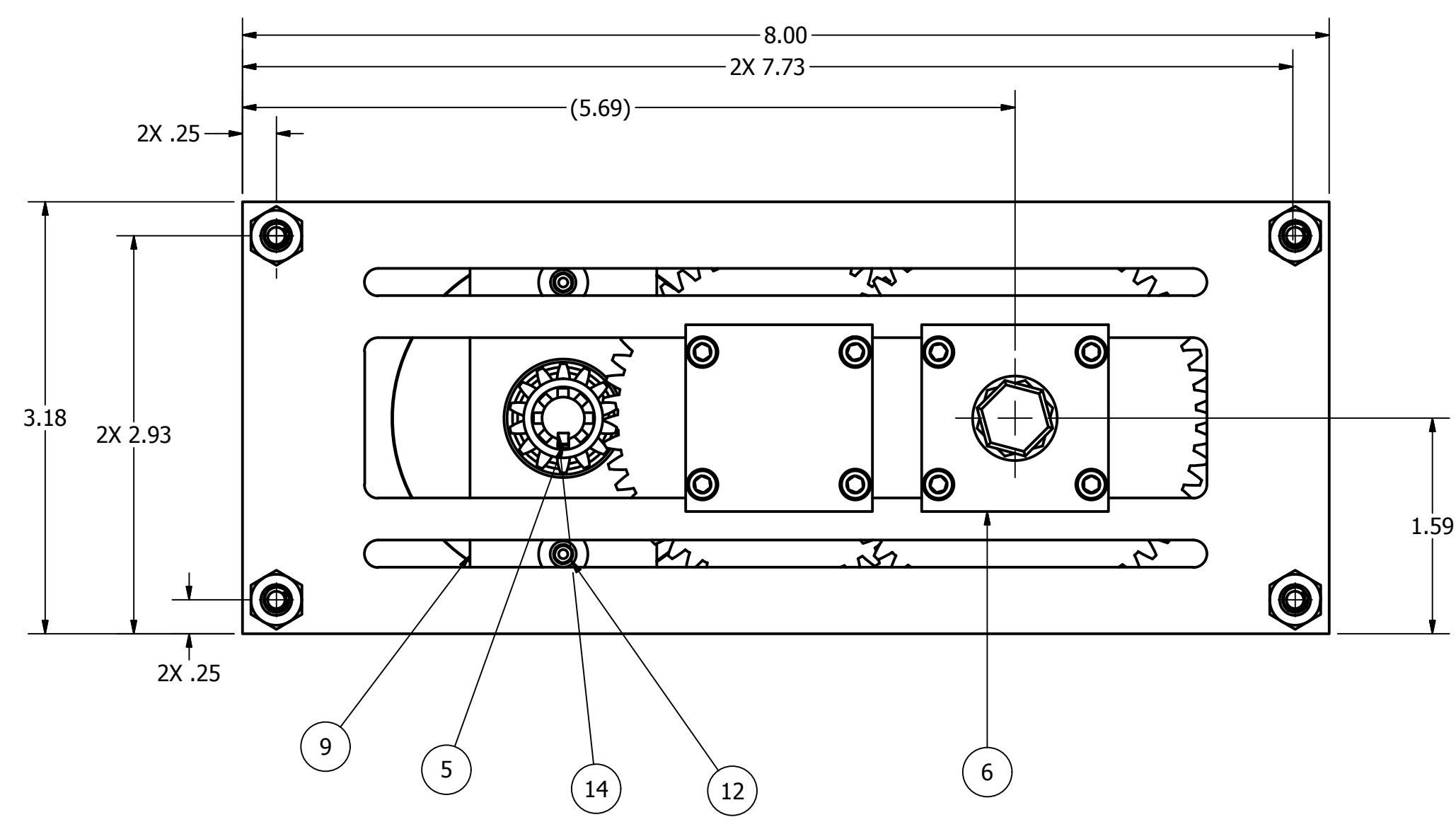
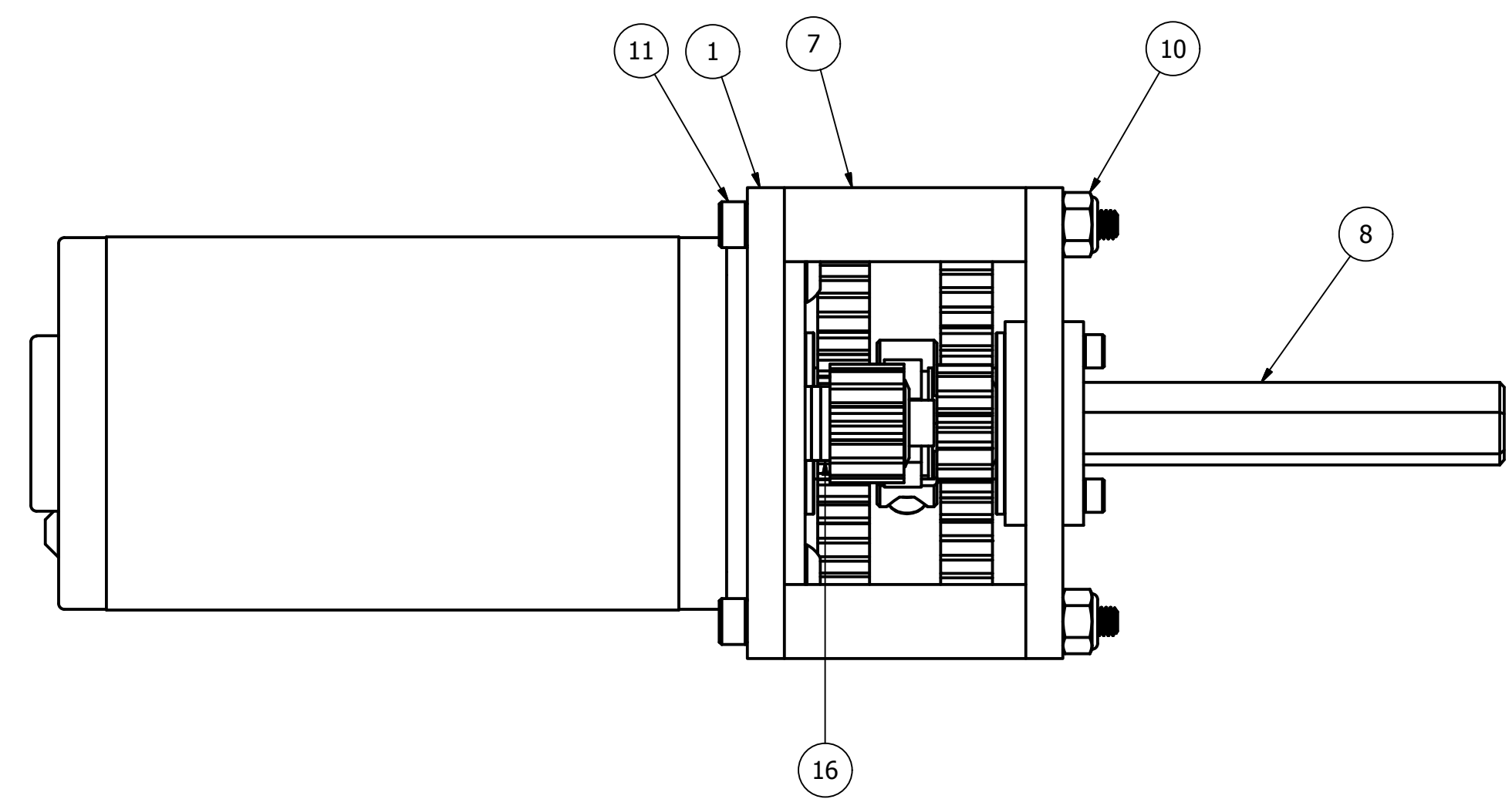
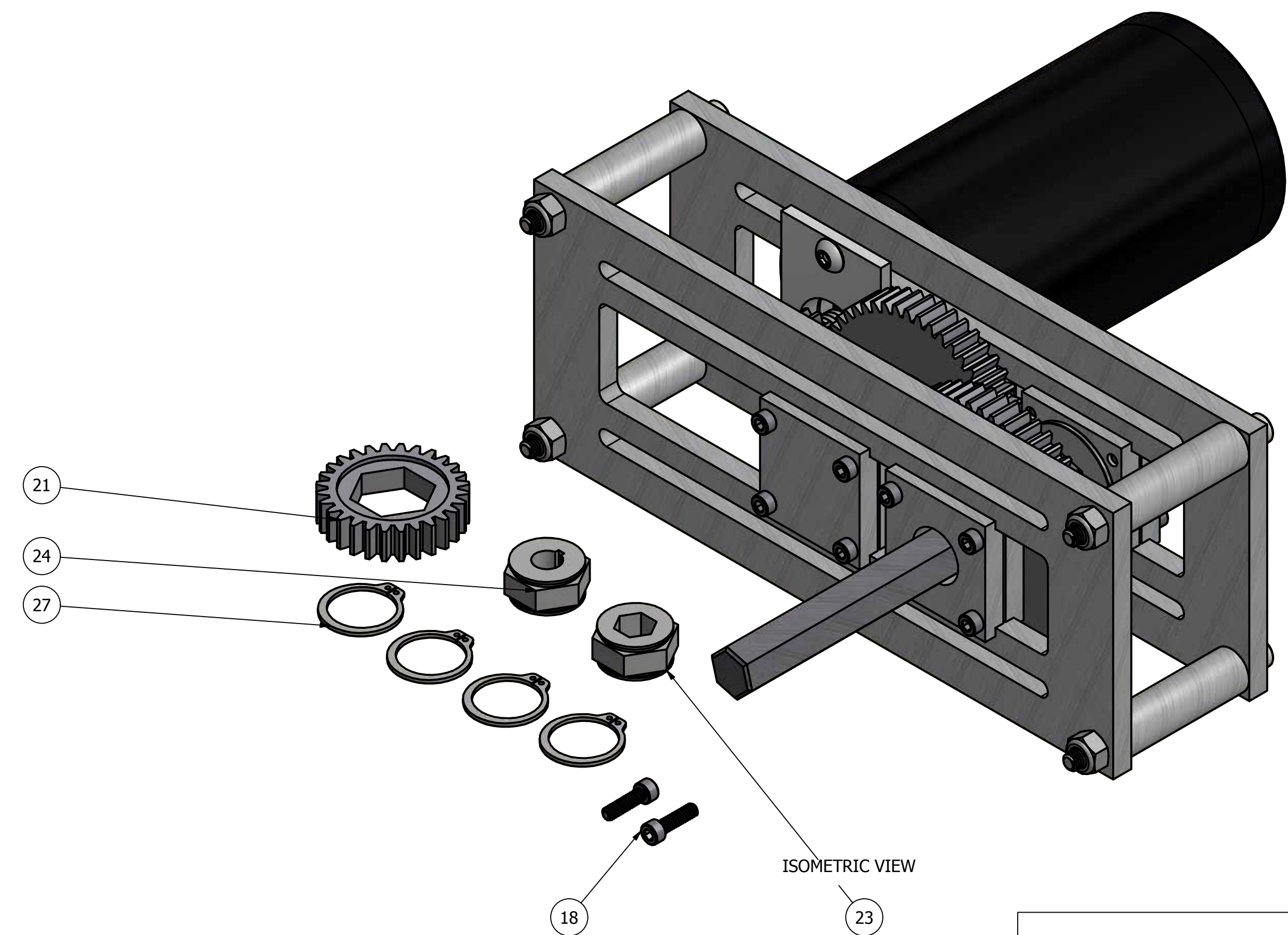


REVISION HISTORY			
REV	DESCRIPTION	DATE	APPROVED
B	UPGRADED TO FLEX HUB	11/4/2012	D.RICHARDSON



CIM MOTOR NOT INCLUDED IN THE KIT



PARTS LIST			
ITEM	QTY	PART NUMBER	DESCRIPTION
1	2	AM-0857	1 SLOT MODULOX PLATE
2	2	AM-0862 & AM-0279	BEARING BLOCK, .500" HEX BORE
3	3	AM-0854	BACK BLOCK FOR MODULOX
4	1	AM-0033	RETAINER CLIP, 8MM ID
5	1	AM-0034	CIM GEAR, 14 TOOTH
6	1	AM-0861	THRU BLOCK FOR MODULOX
7	4	AM-2355	RAIL SPACER FOR MODULOX
8	1	AM-0856	1/2" HEX SHAFT X 5" LONG FOR MODULOX
9	2	AM-0860	MOTOR RECEIVER FOR MODULOX
10	4	AM-1042	10-32 NYLOCK NUT, STEEL, ZINC PLATED
11	4	AM-1024	#10-32 X 2-1/2" SHCS
12	2	AM-1047	#10-32 X 3/4" SHCS
13	2	AM-0692 & AM-0862	BEARING BLOCK, .375" HEX BORE
14	1	AM-1121	2X2X10 MM MACHINE KEY
15	1	AM-2356	SHAFT, HEX 3/8" X 1.85" LONG
16	6	AM-1009	5/16" FLAT WASHER
17	1	AM-0255	NOT INCLUDED IN KIT!
18	16	AM-1237	SHCS, 6-32 X .5", STEEL, ZINC
19	1	FH-GEAR-20DP-56T	GEAR, FLEX HUB, 20DP, 56 TOOTH
20	1	FH-GEAR-20DP-50T	GEAR, FLEX HUB, 20DP, 50 TOOTH
21	1	FH-GEAR-20DP-28T	GEAR, FLEX HUB, 20DP, 28 TOOTH
22	1	FH-HUB-.5HEX	HUB, FLEX HUB, .500 HEX
23	3	FH-HUB-.375HEX	HUB, FLEX HUB, .375 HEX
24	1	FH-HUB-8MMKEY	HUB, FLEX HUB, 8MM, 2MM KEYWAY
25	1	iR3-500-Hex-A	SHAFT COLLAR, STND, .500 HEX
26	1	SW-GEAR-20DP-14T	GEAR, STANDARD WIDTH, 20DP, .375 HEX BORE, 14 TOOTH
27	8	97633A250	SNAP RING, STND, .75 ID

NOTES:  
 1. ALL DIMENSIONS INCHES UNLESS OTHERWISE SPECIFIED. DIMENSIONS AND TOLERANCES ARE IN ACCORDANCE WITH ANSY Y14.5 REMOVE BURS AND BREAK ALL SHARP EDGES .02 MAX.  
 2. UNLESS OTHERWISE SPECIFIED TOLERANCES: .XX = ±.01; .XXX = ±.005; ANGLES ±1°  
 3. THIS IS A SUGGESTED POTENTIAL ASSEMBLY AND CONFIGURATION FOR THE MODULOX LUNCH BOX KIT. THIS GEARBOX IS RECONFIGURABLE WITH SPARE PARTS AND ADDITIONAL ACCESSORIES AVAILABLE FOR PURCHASE.

DRAWN D.RICHARDSON	6/12/2011	iR3 CREATIVE ENGINEERING	
CHECKED		TITLE	
QA		LUNCH BOX, SUGGESTED ASSEMBLY 1	
MFG		SIZE D	DWG NO AM - 0846_ASSEMBLED
APPROVED		SCALE 1:1	REV B
		SHEET 1 OF 1	