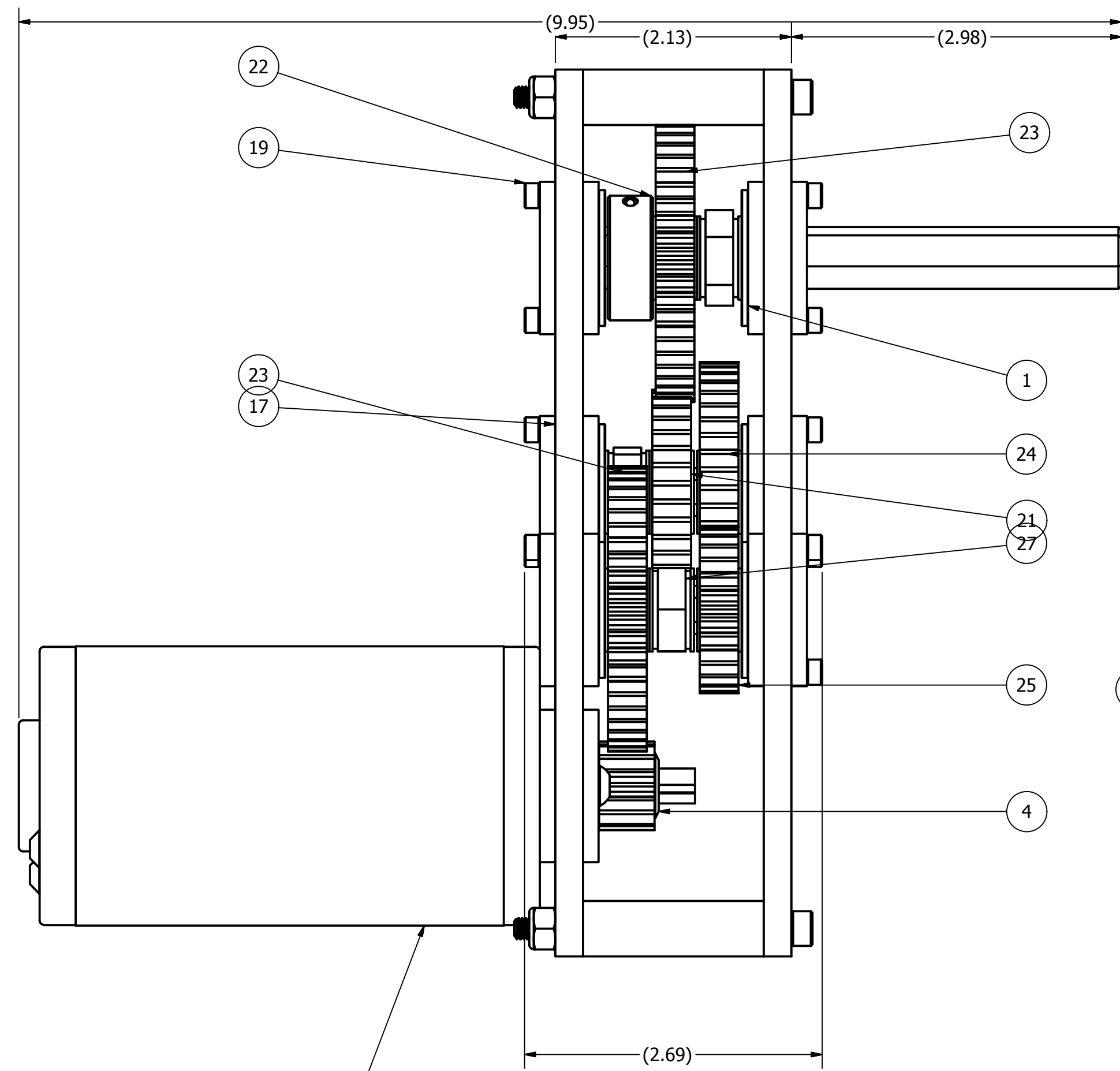
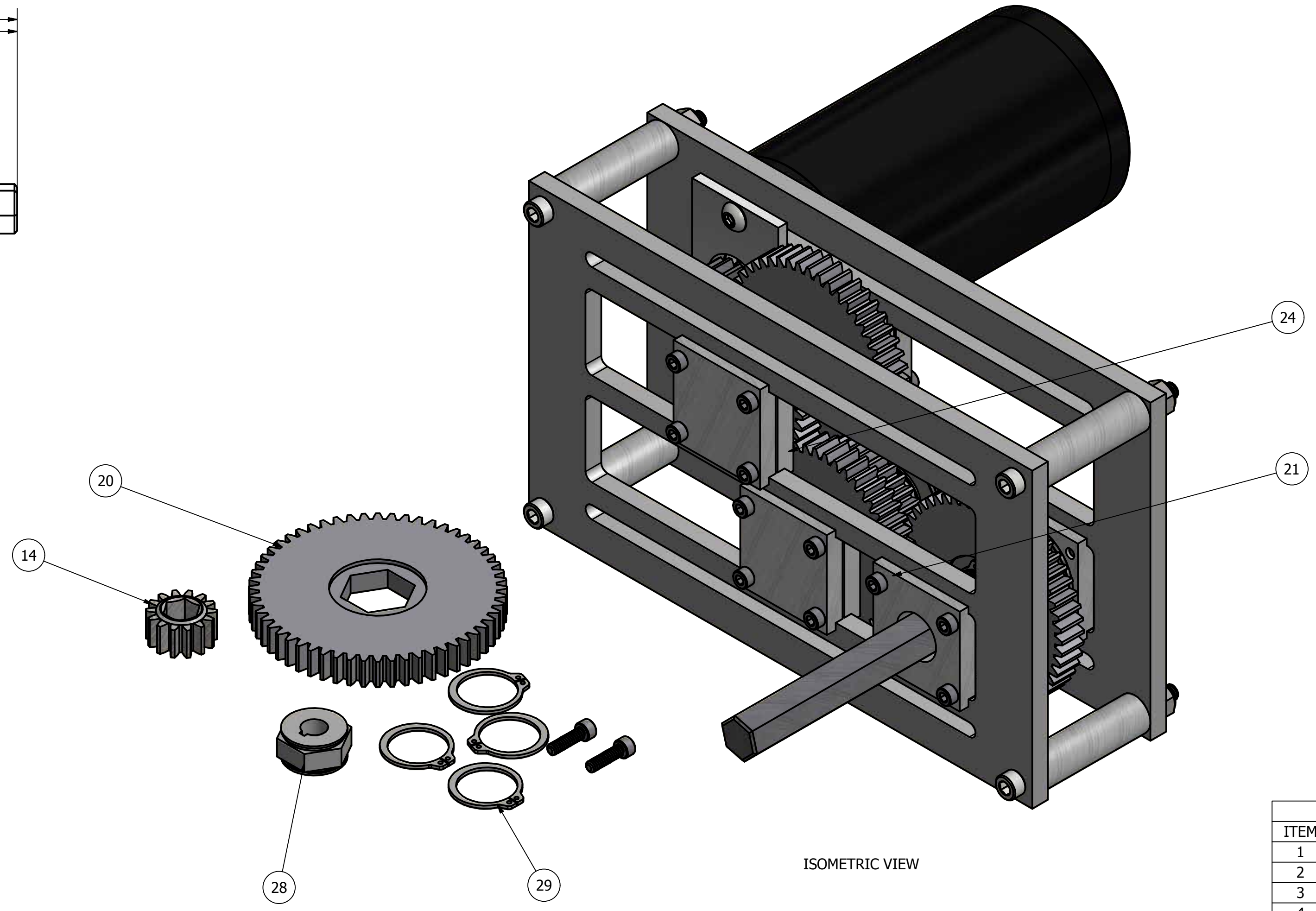


REVISION HISTORY			
REV	DESCRIPTION	DATE	APPROVED
B	UPGRADED TO FLEX HUB	11/4/2012	D.RICHARDSON



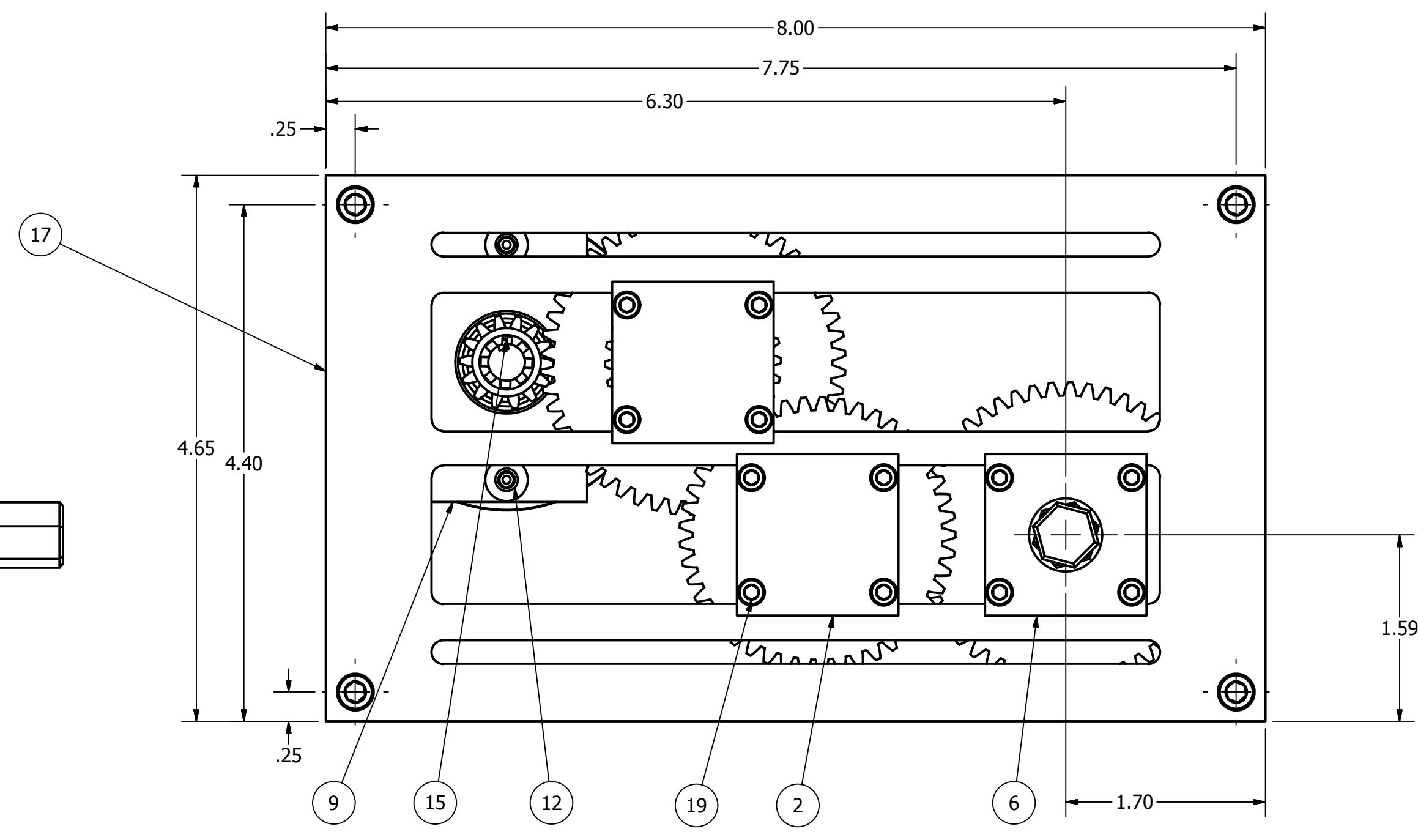
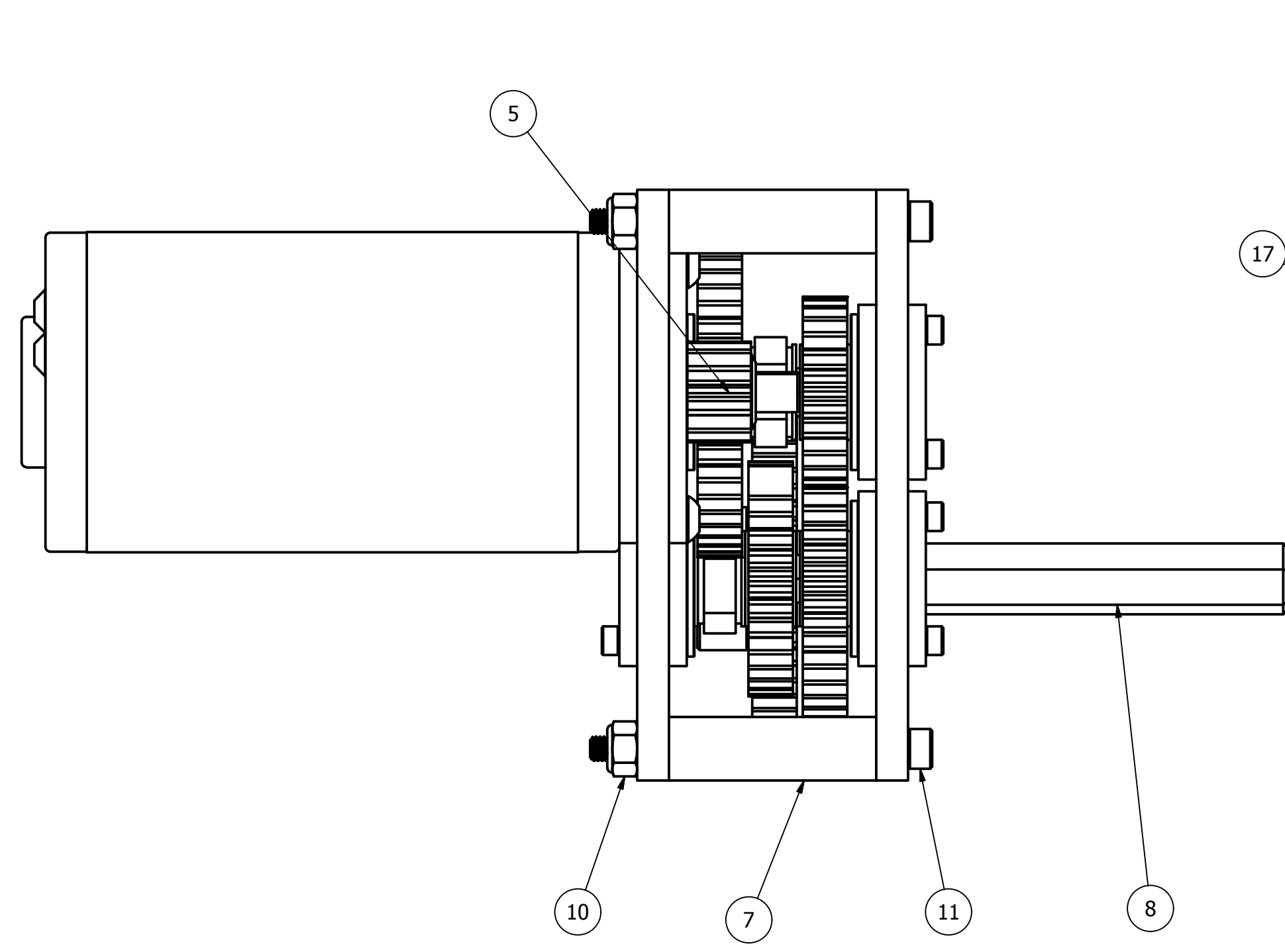
CIM MOTOR NOT INCLUDED IN THE KIT



ISOMETRIC VIEW

- NOTES:
1. ALL DIMENSIONS INCHES UNLESS OTHERWISE SPECIFIED. DIMENSIONS AND TOLERANCES ARE IN ACCORDANCE WITH ANSY Y14.5 REMOVE BURS AND BREAK ALL SHARP EDGES .02 MAX.
 2. UNLESS OTHERWISE SPECIFIED TOLERANCES: .XX = ±.01; .XXX = ±.005; ANGLES ±1°
 3. THIS IS A SUGGESTED POTENTIAL ASSEMBLY AND CONFIGURATION FOR THE MODULOX LUNCH BOX KIT. THIS GEARBOX IS RECONFIGURABLE WITH SPARE PARTS AND ADDITIONAL ACCESSORIES AVAILABLE FOR PURCHASE.

PARTS LIST			
ITEM	QTY	PART NUMBER	DESCRIPTION
1	2	AM-0862 & AM-0279	BEARING BLOCK, .500" HEX BORE
2	5	AM-0854	BACK BLOCK FOR MODULOX
3	1	AM-0255	NOT INCLUDED IN KIT!
4	1	AM-0033	RETAINER CLIP, 8MM ID
5	1	AM-0034	CIM GEAR, 14 TOOTH
6	1	AM-0861	THRU BLOCK FOR MODULOX
7	4	AM-2355	RAIL SPACER FOR MODULOX
8	1	AM-0856	1/2" HEX SHAFT X 5" LONG FOR MODULOX
9	2	AM-0860	MOTOR RECEIVER FOR MODULOX
10	4	AM-1042	10-32 NYLOCK NUT, STEEL, ZINC PLATED
11	4	AM-1024	#10-32 X 2-1/2" SHCS
12	2	AM-1047	#10-32 X 3/4" SHCS
13	4	AM-0692 & AM-0862	BEARING BLOCK, .375" HEX BORE
14	1	SW-GEAR-20DP-14T	GEAR, STANDARD WIDTH, 20DP, .375 HEX BORE, 14 TOOTH
15	1	AM-1121	2X2X10 MM MACHINE KEY
16	2	AM-2356	SHAFT, HEX 3/8" X 1.85" LONG
17	2	AM-0858	2 SLOT MODULOX PLATE
18	6	AM-1009	5/16" FLAT WASHER
19	24	AM-1237	SHCS, 6-32 X .5", STEEL, ZINC
20	1	FH-GEAR-20DP-56T	GEAR, FLEX HUB, 20DP, 56 TOOTH
21	1	FH-GEAR-20DP-35T	GEAR, FLEX HUB, 20DP, 35 TEETH
22	1	IR3-500-Hex-A	SHAFT COLLAR, STND, .500 HEX
23	2	FH-GEAR-20DP-50T	GEAR, FLEX HUB, 20DP, 50 TOOTH
24	1	FH-GEAR-20DP-45T	GEAR, FLEX HUB, 20DP, 45 TOOTH
25	1	FH-GEAR-20DP-28T	GEAR, FLEX HUB, 20DP, 28 TOOTH
26	2	FH-HUB-.5HEX	HUB, FLEX HUB, .500 HEX
27	6	FH-HUB-.375HEX	HUB, FLEX HUB, .375 HEX
28	1	FH-HUB-8MMKEY	HUB, FLEX HUB, 8MM, 2MM KEYWAY
29	14	97633A250	SNAP RING, STND, .75 ID



DRAWN D.RICHARDSON	7/8/2011	iR3 CREATIVE ENGINEERING	
CHECKED		TITLE	
QA		BEAT BOX, SUGGESTED ASSEMBLY 1	
MFG		SIZE D	DWG NO AM - 0847_ASSEMBLED
APPROVED		SCALE 1:1	REV B
		SHEET 1 OF 1	